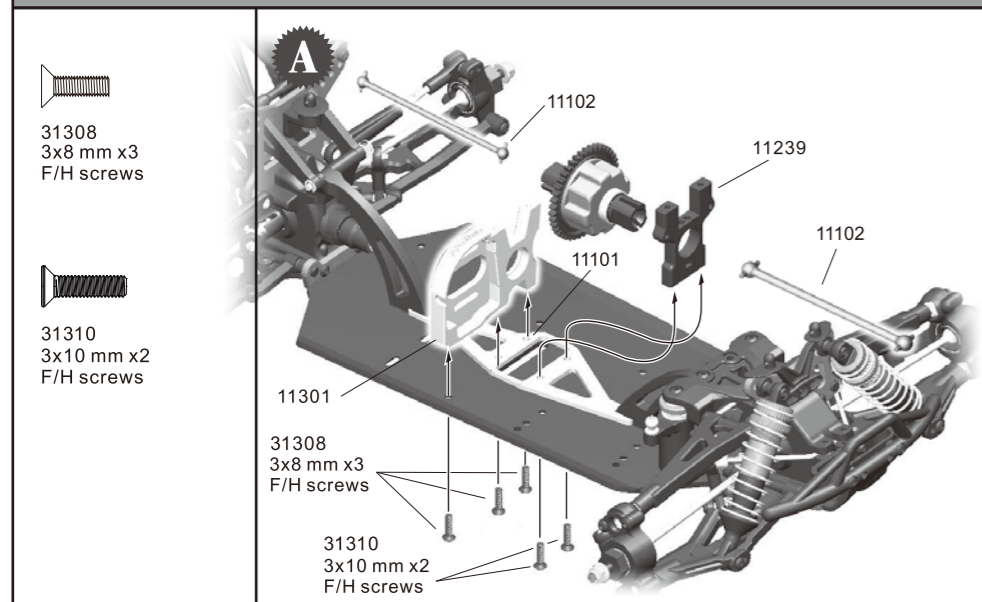


Electric Version Parts List

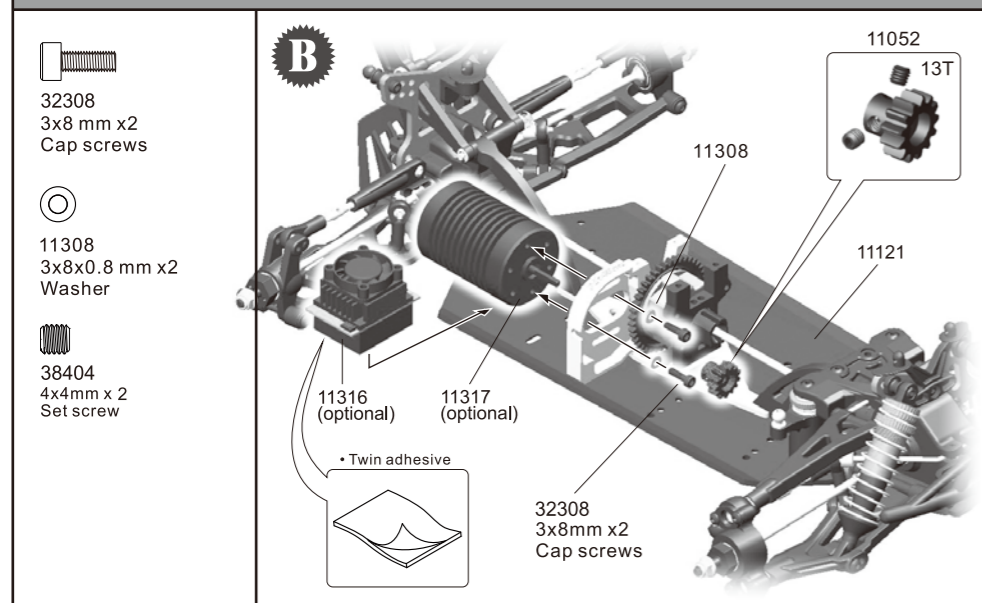
STANDARD		OPTIONAL	
11101	TT ALUM. CENTER DIFF CHASSIS PLATE	11306	MOTOR GEAR - 14T - 3MM
11102	TT ALUM. CENTER DRIVE SHAFT	11311	MOTOR GEAR - 15T - 3MM
11105	TT TRUCK COMPLETE TIRE SET	11312	MOTOR GEAR - 16T - 3MM
11106	TT WHEEL, 4 PCS	11313	CNC ALUM. MOTOR HEAT SINK
11121	TT ELECTRIC CHASSIS	11315	1/10 35A BRUSHLESS SPEED CONTROLLER AND 3900 KV MOTOR SET (11316 AND 11317)
11122	TT ELECTRIC PRINTED BODY-BLUE	11316	1/10 35A BRUSHLESS SPEED CONTROLLER
11123	TT ELECTRIC PRINTED BODY-WHITE	11317	1/10 SL-10T 3650S- 3900 KV BRUSHLESS MOTOR
11023	TT F/R ALUM. SUSPENSION PLATE	11318	1/10 BRUSHLESS PROGRAM CARD-C-V1
11045	SHOCK REPAIR SET	11319	1/10 FAN FOR BRUSHLESS MOTOR HEATSINK
11052	MOTOR GEAR - 13T- 3MM	11320	1/10 FAN FOR BRUSHLESS SPEED CONTROLLER
11301	CNC ALUM. MOTOR PLATE	11325	1/10 60A BRUSH SPEED CONTROLLER & 12T MOTOR SET (11326 AND 11327)
11302	CENTER DIFF UPPER PLATE	11326	1/10 60A BRUSH SPEED CONTROLLER
11303	ALUM. RADIO TRAY	11327	1/10 12T BRUSH MOTOR
11304	BATTERY BOX	11131	ALUM FRONT CHASSIS BRACE
11307	MAGIC STRIP	11132	ALUM REAR CHASSIS BRACE
11308	SCREWS SET		
89076	ALUM. ANTENNA MOUNT		

★ FOLLOW STEPS A TO H FOR ELECTRIC VERSION TO INSTALL CENTER DIFF AND MOTOR MOUNT.

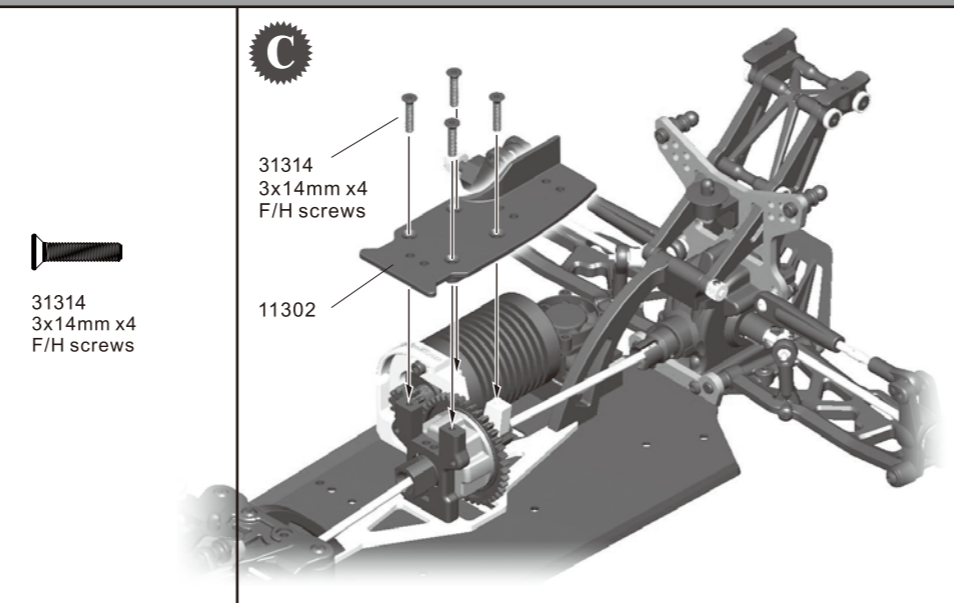
Assembly of the Center Diff with Alum Motor Plate



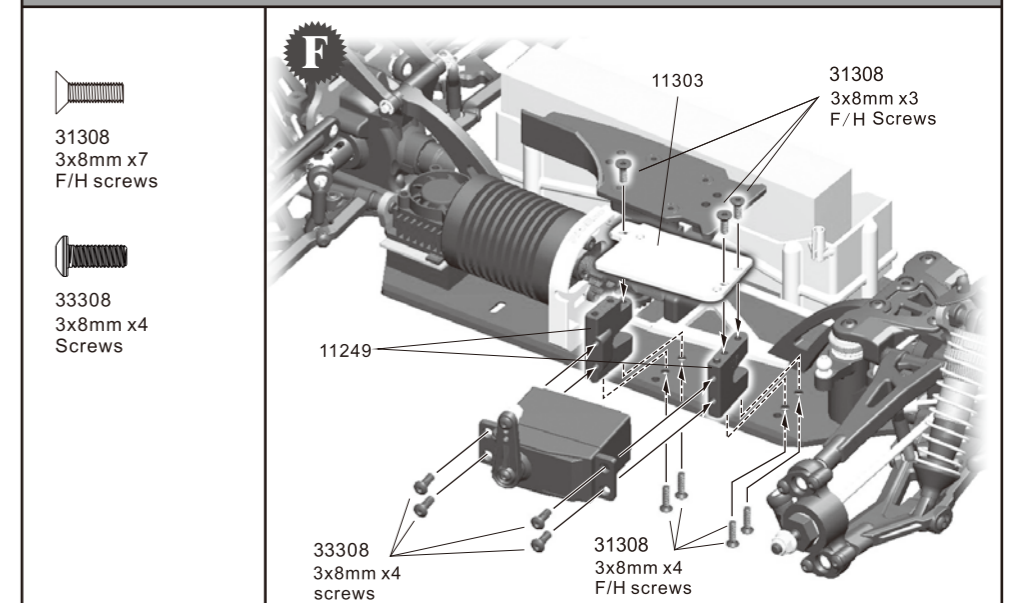
Assembly of Motor with Gear



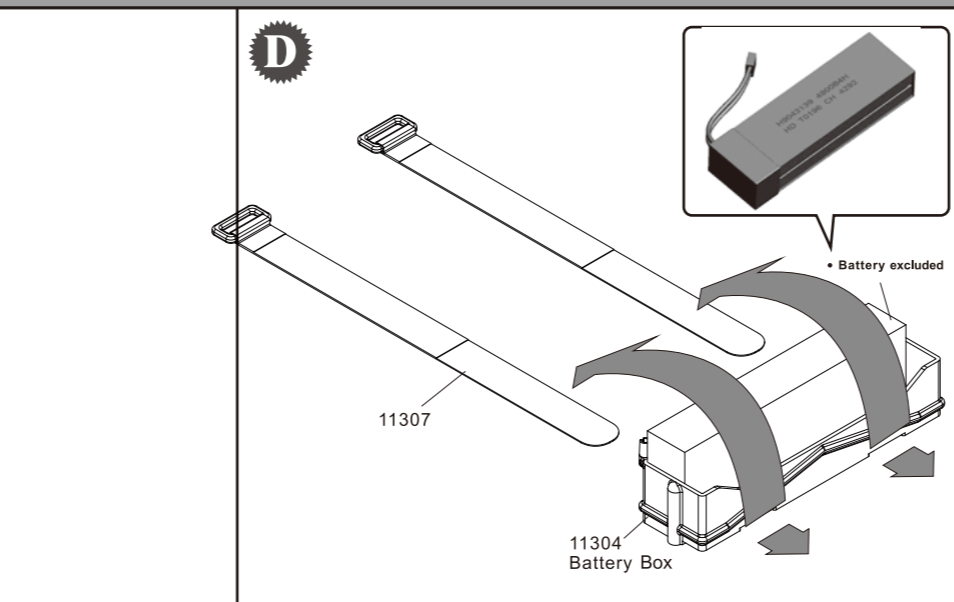
Assembly of Upper Plate onto Diff Mount



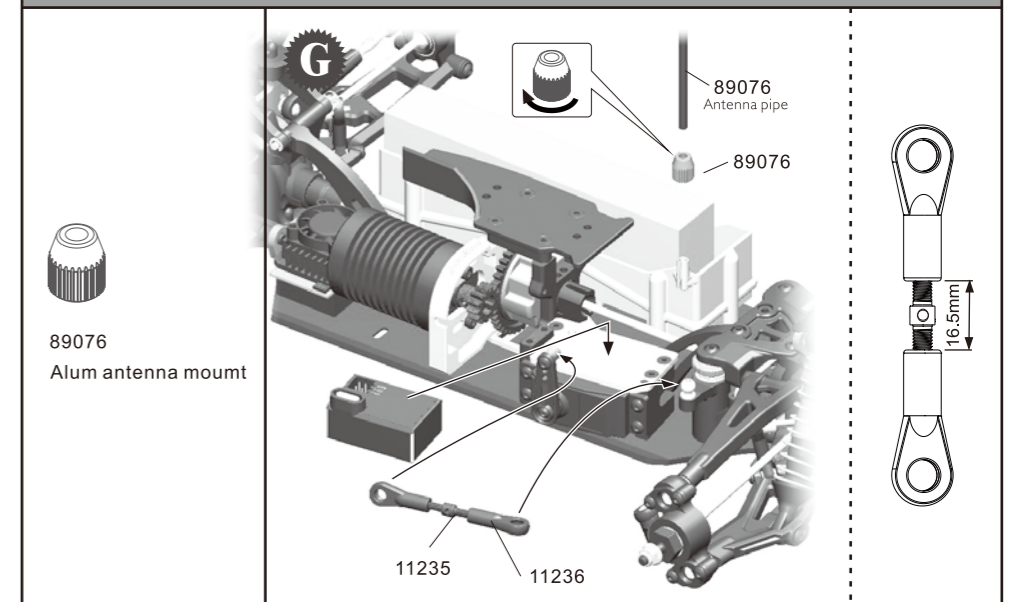
Assembly of Servo and Radio Tray



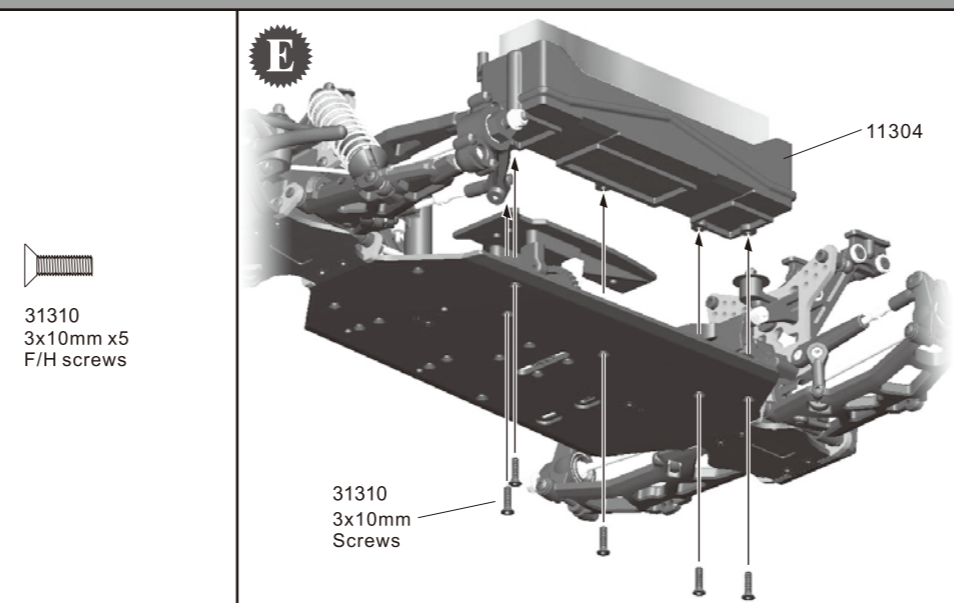
Assembly of Battery Box



Assembly of Antenna Pipe and Steering Servo Link



Assembly of Battery Box onto Chassis



Assembly of Wire

